

Panasonic

Parts List

File No.

Air Conditioner

! RoHS

• This product does not contain any hazardous substances prohibited by the **RoHS** Directive.

⚠ WARNING

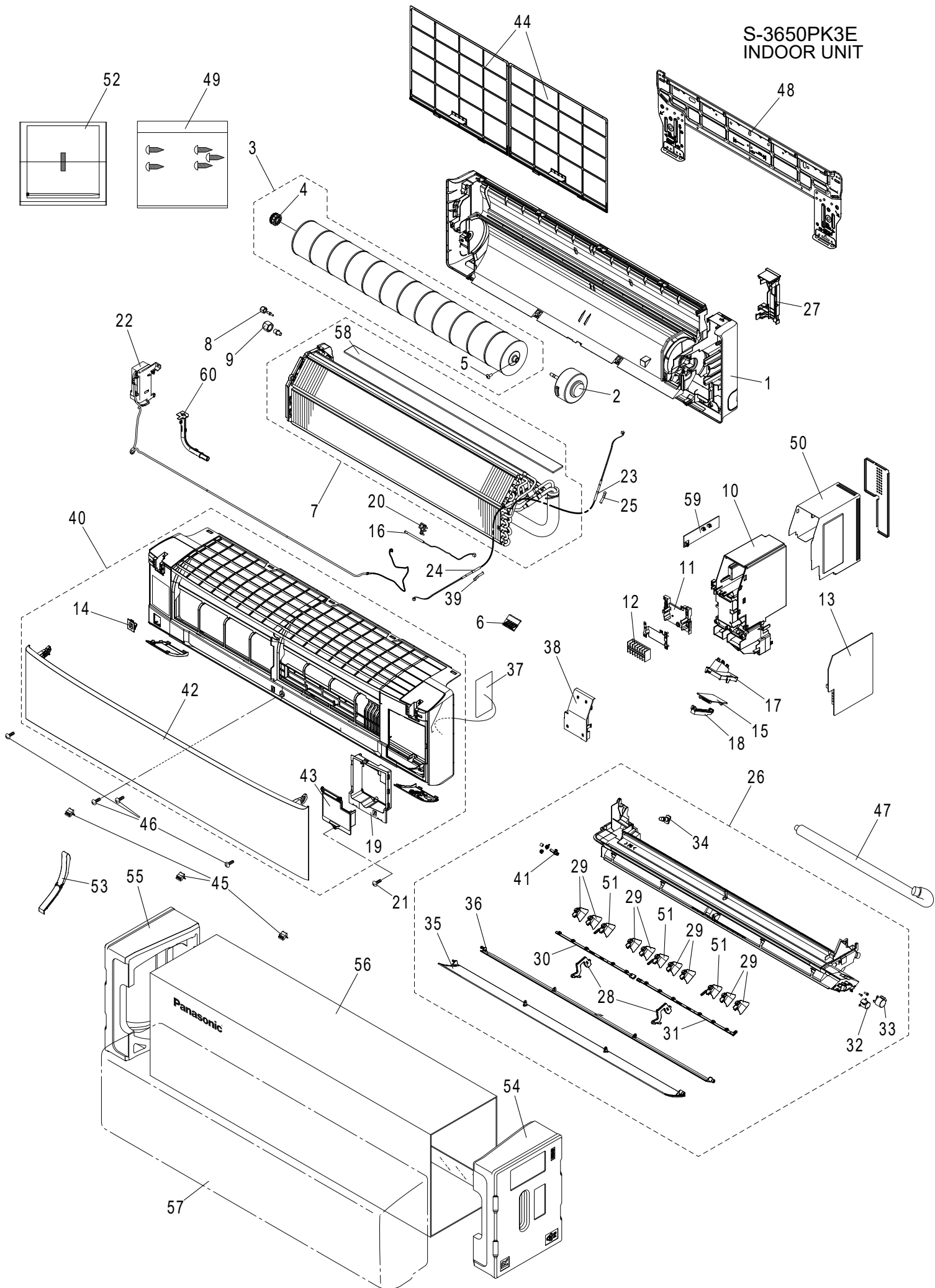
- You are requested to use **RoHS** compliant parts for maintenance or repair.
- You are requested to use lead-free solder.

REFERENCE No.PL 834819-00

—— CONTENTS ——

	Model No.	Page
INDOOR UNIT	S-3650PK3E	1
	S-6010PK3E	1

S-3650PK3E
INDOOR UNIT



ATTENTION!

To ensure correct parts supply, please let us know the following.

Part No. when you make service parts order:

1.Part No. 2.Description 3.Q'ty 4.Volts-Hz-Ph 5.Product Model No.

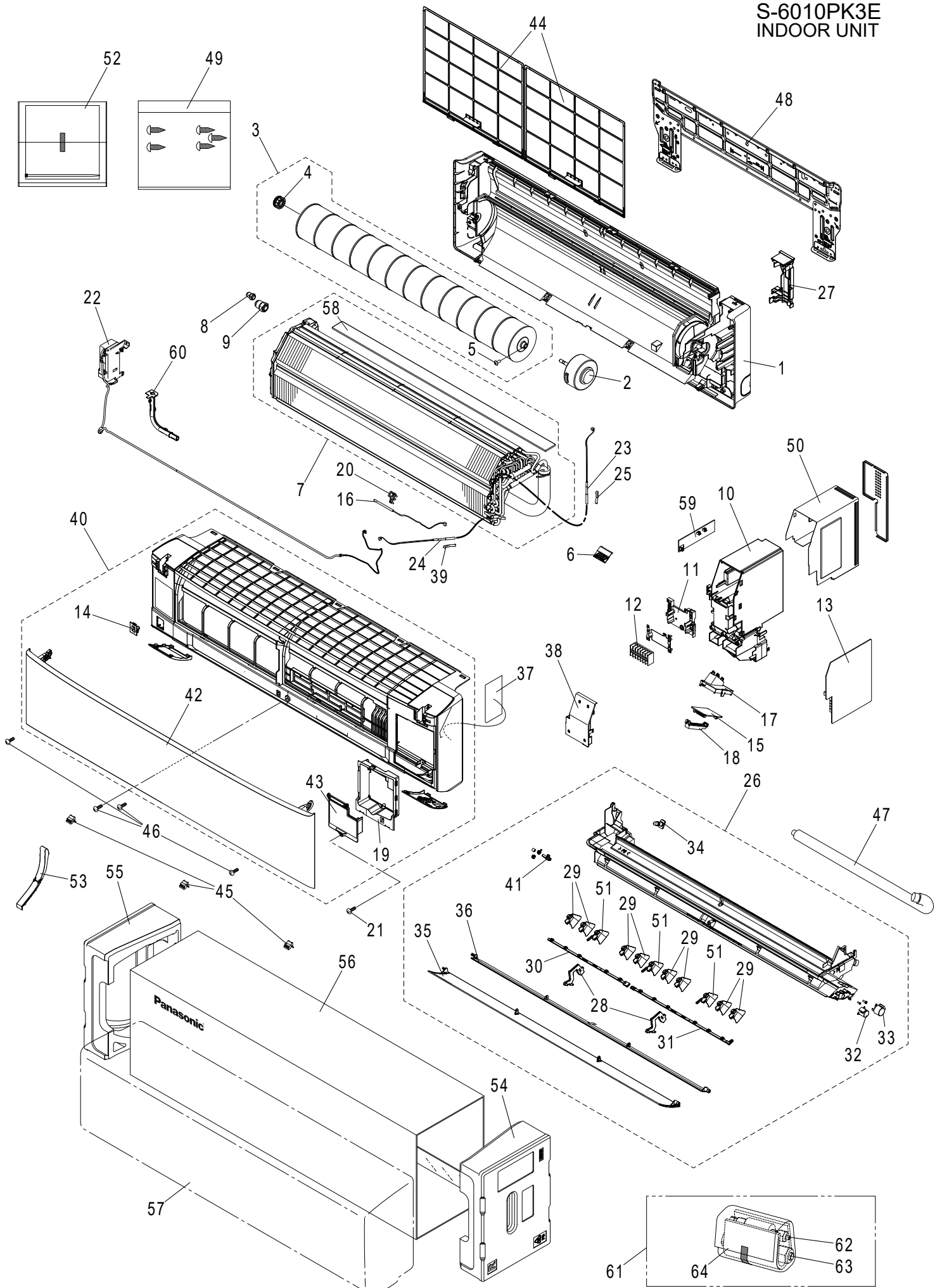
S-3650PK3E

INDOOR UNIT

KeyNo.	Description	Q'ty	Reference No.	Available in EyesG21
1	CHASSIS-COMPLETE	1	ACXD50C02180	o
*	2 DC MOTORS (BRUSHLESS GENERAL USE)	1	L6CBYYL0226	o
3	CROSS-FLOW FAN-COMPLETE	1	CWH02C1136	o
4	BEARING ASSY	1	CWH64K1010	o
5	SCREW	1	CWH551146	o
6	PARTICULAR PIECE	1	CWD933067B	o
7	FIN & TUBE EVAPORATER-COMPLETE	1	ACXB30C11121	o
8	FLARE NUT (LIQUID)	1	CWT251030	o
9	FLARE NUT (GAS)	1	CWT251032	o
10	CONTROL BOARD	1	ACXH10-01020	o
11	PARTICULAR PIECE	1	ACXD93-03300	o
*	12 TERMINAL BOARD	1	ACXA28-00180	o
*	13 PC BOARD W/COMPONENT (MAIN)	1	ACXA73C72740	o
14	PARTICULAR PIECE	1	ACXD93-01920	o
*	15 ELECTRONIC CONTROLLER (DISPLAY & RECEIVER)	1	ACXA73-08581	o
*	16 THERMISTOR (TA)	1	ACXA50C01030	o
17	PARTICULAR PIECE	1	ACXD93-01970	o
18	PARTICULAR PIECE	1	ACXD93-03290	o
19	PARTICULAR PIECE	1	ACXD93-10200	o
*	20 HOLDER-SENSOR	1	CWH32142	o
21	SELF TAPPING SCREW	1	XTT4+12CFJ	o
22	GENERATOR COMPLETE	1	ACXH94C01320	o
*	23 THERMISTOR (E1)	1	ACXA50C13820	o
*	24 THERMISTOR (E2)	1	ACXA50C01090	o
*	25 PLATE SPRING	1	CWH711019	o
26	DISCHARGE GRILLE-COMPLETE	1	ACXE20C06060	o
27	PARTICULAR PIECE	1	ACXD93-10180	o
28	FULCRUM	2	ACXH62-00080	o
29	VANE	8	ACXE24-00400	o
30	CONNECTING BAR	1	ACXE26-00190	o
31	CONNECTING BAR	1	ACXE26-00200	o
*	32 FAN MOTOR (P.PH.V.) (W.D.CHANGE MOTOR2)	1	ACXA98-00810	o
*	33 FAN MOTOR (P.PH.V.) (W.D.CHANGE MOTOR1)	1	ACXA98-00800	o
34	CAP	1	CWH521259	o
35	VANE-COMPLETE	1	ACXE24C00551	o
36	VANE-COMPLETE	1	ACXE24C00540	o
*	37 WIRING DIAGRAM (CS)	1	ACXF20-12170	
38	CONTROL BOARD COVER-COMPLETE	1	ACXH13C01350	o
*	39 PLATE SPRING	1	CWH711010	o
40	FRONT GRILLE-COMPLETE	1	ACXE10C12840	o
41	SHAFT	1	CWH631113	o
42	INTAKE GRILLE ASSY	1	ACXE22K00160	o
43	GRILLE DOOR-COMPLETE	1	ACXE14C00531	o
44	AIR FILTER	2	ACXD00-00250	o
45	CAP	3	ACXH52-00100	o
46	SELF TAPPING SCREW	4	XTT4+16CFJ	o
47	FLEXIBLE PIPE	1	ACXH85-00140	o
48	INSTALLING HOLDER	1	CWH361098	o
49	ACCESSORY-COMPLETE	1	CWH82C1824	o
50	CONTROL BOARD COVER	1	ACXH13-00830	o

NOTE: Metal and plastic parts will be supplied basically with necessary heat insulation pads or packing. Each key number with an asterisk (*) means the recommended service parts.

S-6010PK3E
INDOOR UNIT



ATTENTION!

To ensure correct parts supply, please let us know the following.

Part No. when you make service parts order:

1.Part No. 2.Description 3.Q'ty 4.Volts-Hz-Ph 5.Product Model No.

S-6010PK3E

INDOOR UNIT

KeyNo.	Description	Q'ty	Reference No.	Available in EyesG21
1	CHASSIS-COMPLETE	1	ACXD50C02180	o
*	2 DC MOTORS (BRUSHLESS GENERAL USE)	1	L6CBYYL0226	o
3	CROSS-FLOW FAN-COMPLETE	1	CWH02C1136	o
4	BEARING ASSY	1	CWH64K1010	o
5	SCREW	1	CWH551146	o
6	PARTICULAR PIECE	1	CWD933067B	o
7	FIN & TUBE EVAPORATER-COMPLETE	1	ACXB30C15901	o
8	FLARE NUT (LIQUID)	1	CWT251031	o
9	FLARE NUT (GAS)	1	CWT251033	o
10	CONTROL BOARD	1	ACXH10-01020	o
11	PARTICULAR PIECE	1	ACXD93-03300	o
*	12 TERMINAL BOARD	1	ACXA28-00180	o
*	13 PC BOARD W/COMPONENT (MAIN)	1	ACXA73C72750	o
14	PARTICULAR PIECE	1	ACXD93-01920	o
*	15 ELECTRONIC CONTROLLER (DISPLAY & RECEIVER)	1	ACXA73-08581	o
*	16 THERMISTOR (TA)	1	ACXA50C01030	o
17	PARTICULAR PIECE	1	ACXD93-01970	o
18	PARTICULAR PIECE	1	ACXD93-03290	o
19	PARTICULAR PIECE	1	ACXD93-10200	o
*	20 HOLDER-SENSOR	1	CWH32142	o
21	SELF TAPPING SCREW	1	XTT4+12CFJ	o
22	GENERATOR COMPLETE	1	ACXH94C01320	o
*	23 THERMISTOR (E1)	1	ACXA50C13820	o
*	24 THERMISTOR (E2)	1	ACXA50C01090	o
*	25 PLATE SPRING	1	CWH711019	o
26	DISCHARGE GRILLE-COMPLETE	1	ACXE20C06060	o
27	PARTICULAR PIECE	1	ACXD93-10180	o
28	FULCRUM	2	ACXH62-00080	o
29	VANE	8	ACXE24-00400	o
30	CONNECTING BAR	1	ACXE26-00190	o
31	CONNECTING BAR	1	ACXE26-00200	o
*	32 FAN MOTOR (P.PH.V.) (W.D.CHANGE MOTOR2)	1	ACXA98-00810	o
*	33 FAN MOTOR (P.PH.V.) (W.D.CHANGE MOTOR1)	1	ACXA98-00800	o
34	CAP	1	CWH521259	o
35	VANE-COMPLETE	1	ACXE24C00551	o
36	VANE-COMPLETE	1	ACXE24C00540	o
*	37 WIRING DIAGRAM (CS)	1	ACXF20-12170	
38	CONTROL BOARD COVER-COMPLETE	1	ACXH13C01350	o
*	39 PLATE SPRING	1	CWH711010	o
40	FRONT GRILLE-COMPLETE	1	ACXE10C12850	o
41	SHAFT	1	CWH631113	o
42	INTAKE GRILLE ASSY	1	ACXE22K00160	o
43	GRILLE DOOR-COMPLETE	1	ACXE14C00531	o
44	AIR FILTER	2	ACXD00-00250	o
45	CAP	3	ACXH52-00100	o
46	SELF TAPPING SCREW	4	XTT4+16CFJ	o
47	FLEXIBLE PIPE	1	ACXH85-00140	o
48	INSTALLING HOLDER	1	CWH361098	o
49	ACCESSORY-COMPLETE	1	CWH82C1824	o
50	CONTROL BOARD COVER	1	ACXH13-00830	o

NOTE: Metal and plastic parts will be supplied basically with necessary heat insulation pads or packing. Each key number with an asterisk (*) means the recommended service parts.

